

Model SS30610



Shear Beam Load Cell

FEATURES:

- 1K to 40K pounds capacities
- Stainless steel construction
- Hermetically sealed
- Exceed NIST H-44 requirements
- Low cost
- Interchangeable with SSB
- Factory Mutual (F.M.) Approved †

DESCRIPTION:

Model SS30610 constructed of stainless steel, and hermetically sealed. The SS30610 load cell is an excellent choice for the toughest industrial environment. SS30610 is ideal for material processing, food processing and platform scales. Other capacities are available upon request.

PERFORMANCE SPECIFICATIONS

Standard Capacities (lbs.):	1K, 2K, 4K, 5K, 10K, 40K
Excitation Voltage:	15VDC
Rated Output:	2.0 mv/v \pm .1% mv/v
Non-Linearity:	< 0.03% FSO (Full Scale Output)
Hysteresis:	< 0.03% FSO
Non-Repeatability:	< 0.02% FSO
Zero Balance:	\pm 1.0% FSO
Bridge Resistance:	350 \pm 1 ohms
Safe Overload:	150% of Rated Capacity
Temperature:	
Compensated Range:	0 - 150 deg. F
Effect on Output:	< 0.0008% FSO/deg. F
Effect on Zero:	< 0.0011% FSO/deg. F
Material:	Stainless Steel



APPROVED

CAPACITY LBS.	A	B	C	D	E	F	G	H	I	J	K
1K - 5K	8.00	1.44	1.88	.51	.75	2.50	3.87	.68	1.18	.47	4.00
10K	9.25	1.88	2.75	.88	.80	2.63	4.88	1.00	1.63	.62	4.62
40K	12.50	2.75	3.75	1.31	1.25	3.50	6.25	1.50	1.88	.75	6.50

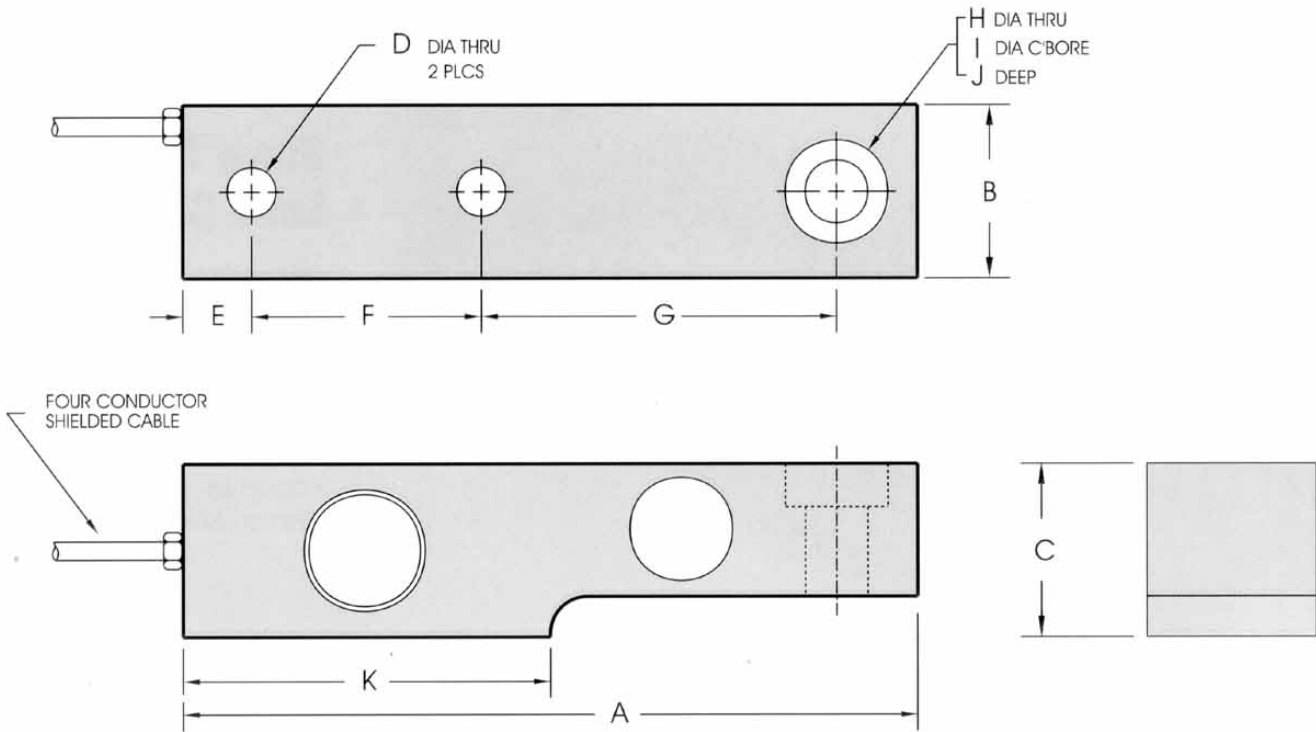
ELECTRICAL TERMINATION

INPUT OUTPUT SHIELD

GREEN (+) WHITE (+)

BLACK (-) RED (-)

COMPRESSION POSITIVE



† Factory Mutual Systems approved as intrinsically safe when installed per F.M. approved installation drawing. Contact ARTECH sales department for details.