



MODEL70210 DOUBLE ENDED SHEAR BEAM

FEATURES:

- 5K to 250K pounds capacities
- Environmentally protected
- Optional Weigh Module hardware for tank scales
- NTEP certified versions available for Class III 5000 division, Class III L 10000 division.
- Stainless Steel versions available
- Factory Mutual (F.M.) Approved †

DESCRIPTION:

Model 70210, a double ended shear beam, is ideal for low profile pitless truck scales, tank and track scales. The cell is constructed of high alloy tool steel for repeatability and use in areas where shock, ruggedness and overloading situations exist. The gage areas are environmentally protected with a thick, double waterproof seal and neoprene sleeves. Load cells are supplied with an integral 30 feet cable. (Please specify other cable length).

PERFORMANCE SPECIFICATIONS

Standard Capacity (lbs.):	5K, 10K, 20K, 50K, 60K, 100K, 150K, 200K, 250K
Excitation Voltage:	10VDC - Maximum 15VDC
Rated Output:	3.0 mv/v \pm .1%
Non-Linearity:	< 0.03% FSO (Full Scale Output)
Hysteresis:	< 0.02% FSO
Non-Repeatability:	< 0.01% FSO
Zero Balance:	\pm 1.0% FSO
Bridge Resistance:	700 \pm 7.0 ohms
Safe Overload:	150% Rated Capacity
Temperature:	
Compensated Range:	0 - 150 deg. F
Effect on Output:	< 0.0008% FSO/deg. F
Effect on Zero:	< 0.0011% FSO/deg. F
Finish:	Electroless Nickel/Chrome Plated



APPROVED

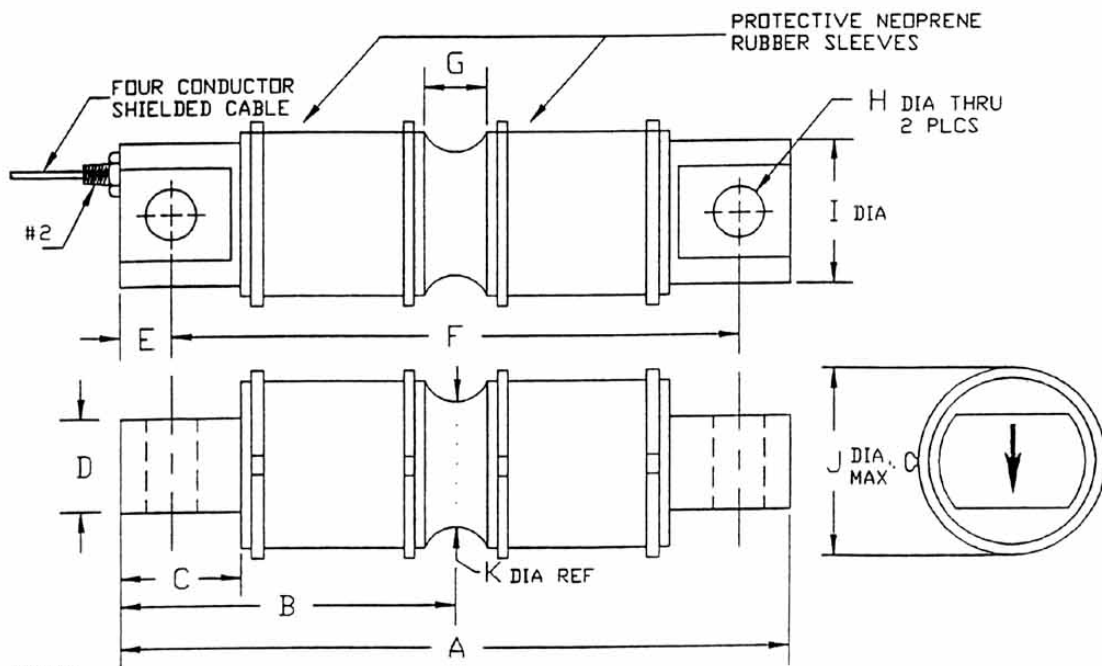


CAPACITY LBS.	A	B	C	D	E	F	G	H	I	J	K
5K - 20K	8.12	4.06	1.44	1.12	.62	6.87	.62	.65	1.75	2.25	1.48
50K - 65K	10.25	5.12	1.87	2.36	.88	8.50	1.00	1.06	3.00	3.25	2.75
100K - 150K	11.25	5.62	1.87	2.50	.88	9.50	1.00	1.06	3.50	3.75	3.25
200K - 250K	16.10	8.05	3.05	4.60	1.55	13.00	1.50	1.56	5.38	5.50	5.17

ELECTRICAL TERMINATION

Input Output Shield
 Red (+) Green (+)
 Black (-) White (-)

COMPRESSION POSITIVE



NOTE:

- #1. STD WIRING
- #2. 1/4 NPT CONDUIT FITTING IN 5K TO 20K
1/2 NPT CONDUIT FITTING IN 50K TO 250K
- #3. DIMENSIONS SHOWN ARE IN INCHES
- #4. MATERIAL: TOOL STEEL - NICKEL/CHROME PLATE
- #5. 30 FEET CABLE LENGTH, POLYURETHANE JACKET
OTHER LENGTHS AVAILABLE PER SPECIAL ORDER

† Factory Mutual Systems approved as intrinsically safe when installed per F.M. approved installation drawing. Contact ARTECH sales department for details.